

Monolithic crystal filter

MQF21.4-0750/11



Application

- 4 pol filter
- i.f.- filter
- use in mobile and stationary transceivers

Limiting values

		Unit	Value
Center frequency	f_0	MHz	21.4
Insertion loss		dB	≤ 2.5
Pass band at 3.0 dB		kHz	± 3.75
Ripple in pass band	$f_0 \pm 3.00$ kHz	dB	≤ 1.0
Stop band attenuation	$f_0 \pm 14$ kHz	dB	≥ 40
Alternate attenuation	$f_0 + 350 \dots 1000$ kHz	dB	> 65
	$f_0 - 200 \dots 1000$ kHz	dB	> 80

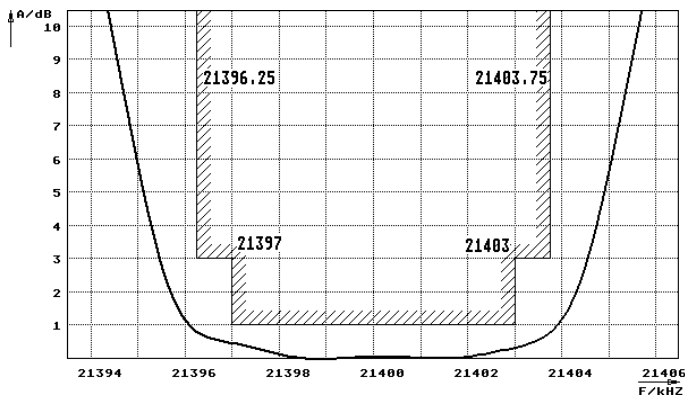
Terminating impedance Z

R1 C1	Ohm/pF	1600 3	
R2 C2	Ohm/pF	1600 3	
Coupling capacitance	Ck	pF	8.0

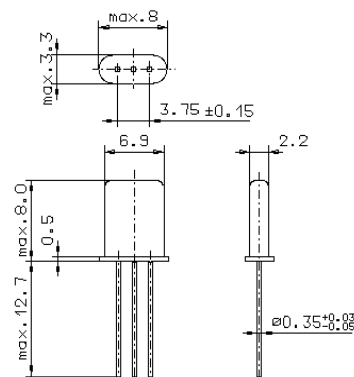
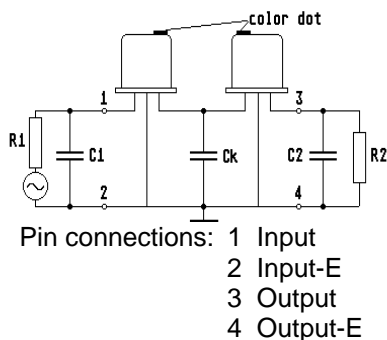
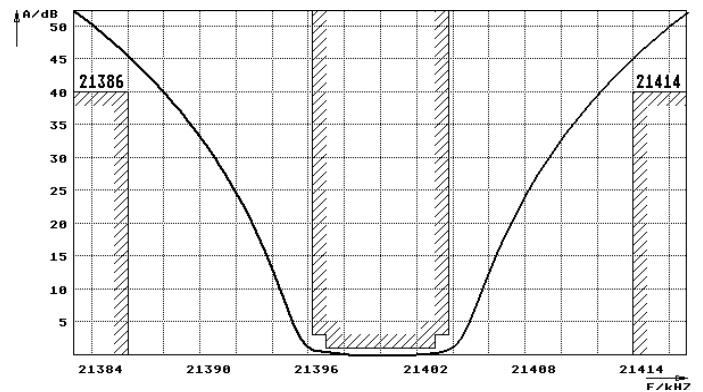
Operating temp. range	$^{\circ}\text{C}$	-25... +70
-----------------------	--------------------	------------

Characteristics MQF21.4-0750/11

Pass band



Stop band



GH9